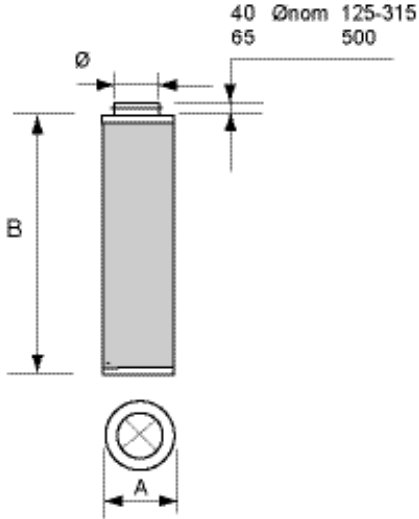


Dimensions and weights

A, Ø is standard dimensions.
 B is chosen according to costumers requirement
 Bs = Recommended height B to suit A, Ø
 Max B is 2000

| ABC | A | Bs | Ø | kg |
|-----|-----|------|-----|----|
| 125 | 160 | 600 | 125 | 8 |
| 160 | 200 | 600 | 160 | 15 |
| 200 | 250 | 1000 | 200 | 18 |
| 250 | 315 | 1000 | 250 | 25 |
| 315 | 400 | 1000 | 315 | 35 |
| 400 | 500 | 1500 | 400 | 40 |
| 500 | 650 | 2000 | 500 | 65 |



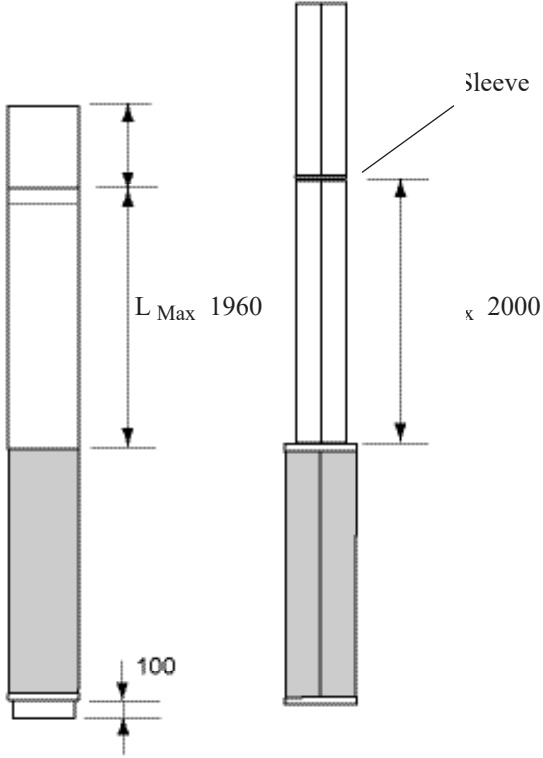
Accessory

Base: Standard height of base is 100 , other heights on request.

Duct cover: Length of duct cover is made according to costumers specification. Max length in one piece 1960

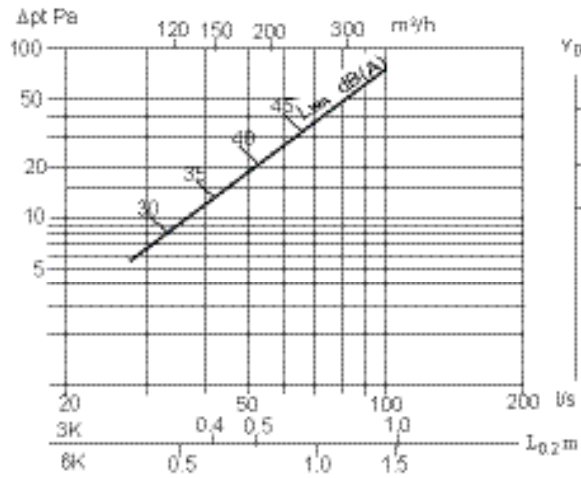
Straight seamed supply duct: Max length in one piece :

| Size | LMax |
|---------|------|
| 125-400 | 2000 |
| 500 | 1250 |

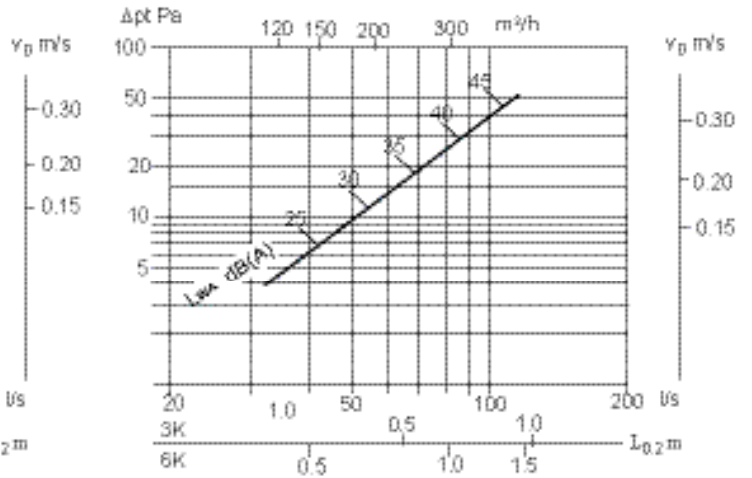


Technical Data recommended sizes

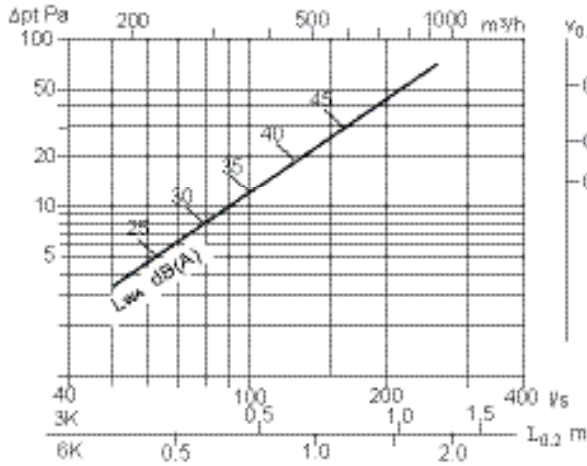
ABC 125-600



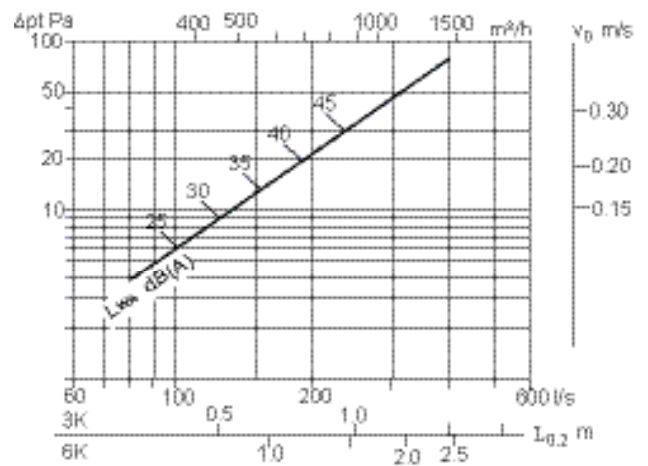
ABC 160-600



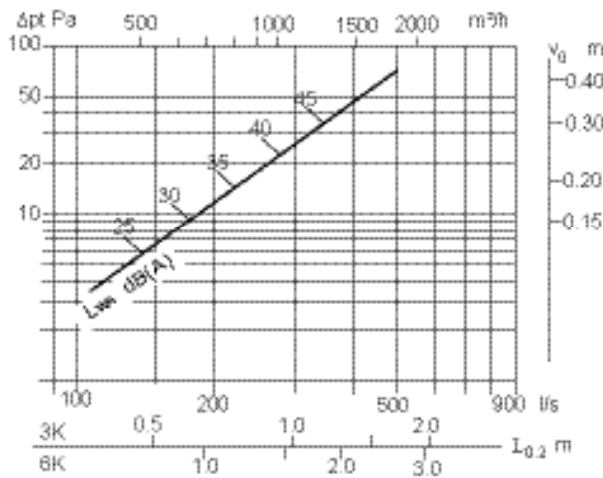
ABC 200-1000



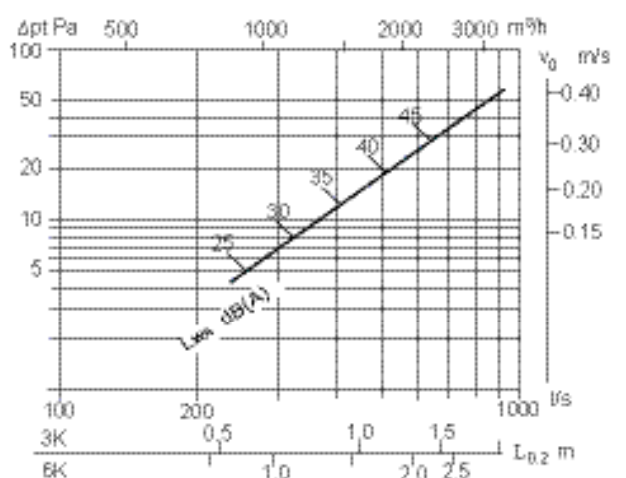
ABC 250-1000



ABC 315-1000

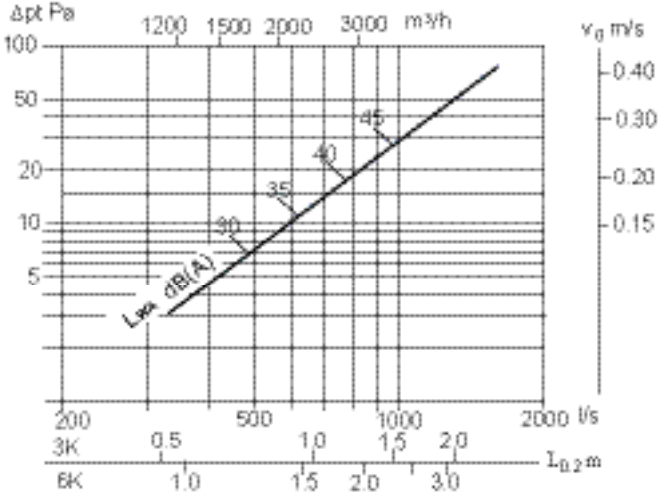


ABC400-1500



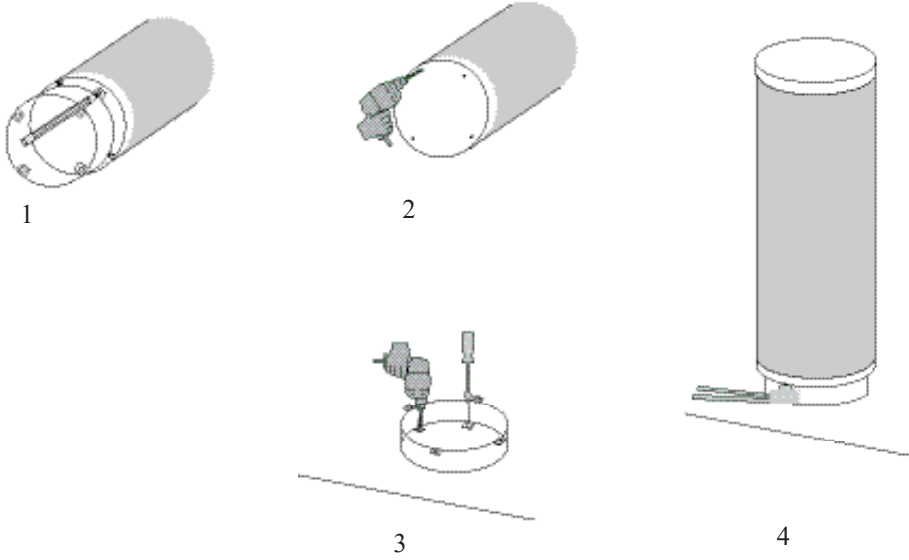
Technical Data

ABC500-2000



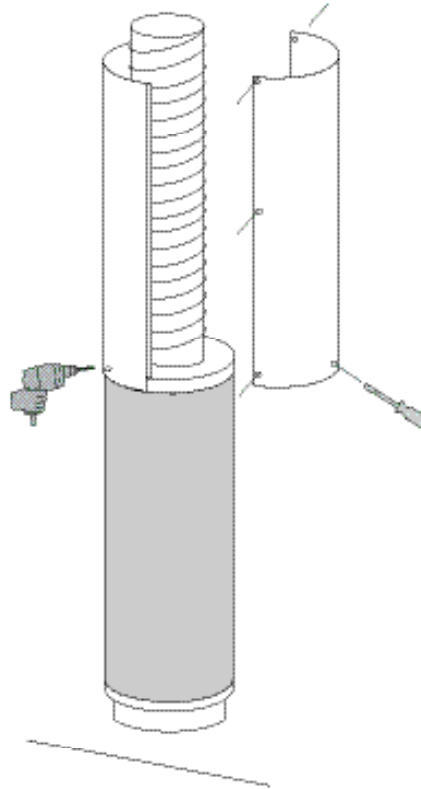
Assembly

With base: The base is first fixed to the floor using screws. The terminal is then fastened to the base by means of pop rivets.



Assembly

ABC floor assembly with duct cover

**Specification**

BEMAIR circular displacement unit to be mounted on the floor. Terminal including internal air distribution plate with nozzles. Diameter ... mm
Heightmm, top/bottom connection Ømm. Alt 1: Including base height 100 mm for fixation to the floor. Alt. 2: Including brackets for wall/corner assembly. The terminal is made in galvanized sheet steel. Visible parts powder coated with RAL 9010 alt special colour according to RAL or NCS.
Accessory: Alt. 1: Straight seamed supply duct total length mm. Alt 2 Duct cover total length in galvanized sheet steel powder coated RAL 9010. Alt. Powder coated in special colour according to RAL or NCS.

Product code

